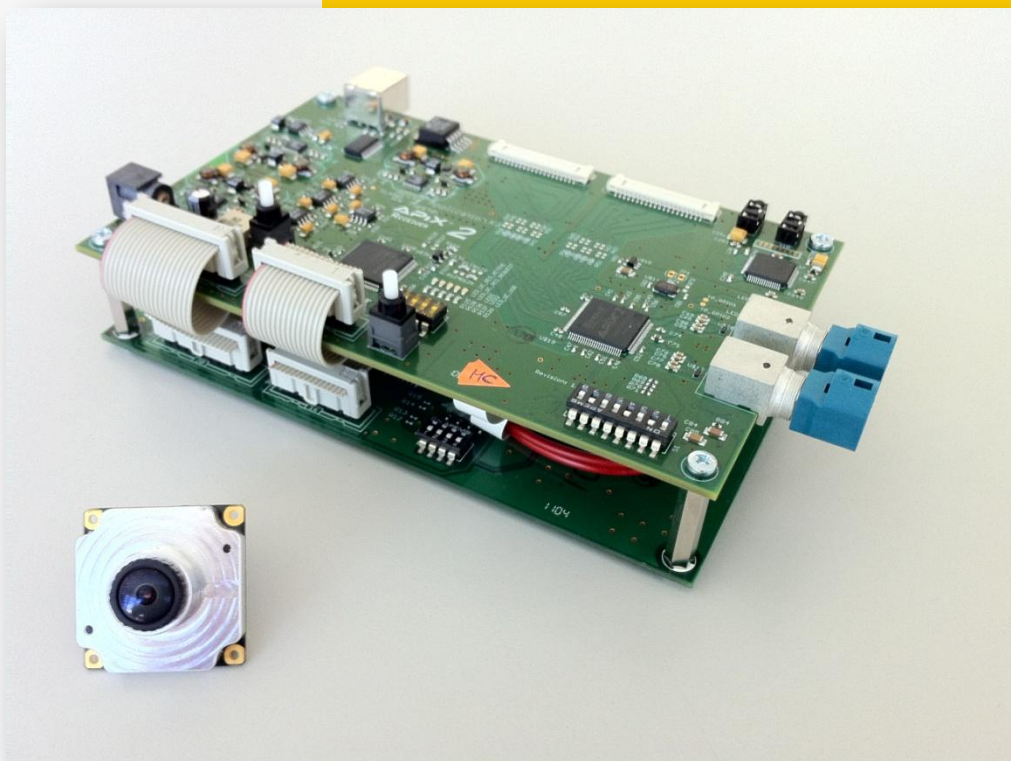


## With Omnivision OVT10630



### Applications

- Lane departure warning
- Occupancy detection
- Sign recognition camera
- Blind spot detection
- Round view systems
- Rear view camera

**Supertech OVT10630 camera module**  
**APIX2 receiver board with USB PC interface**

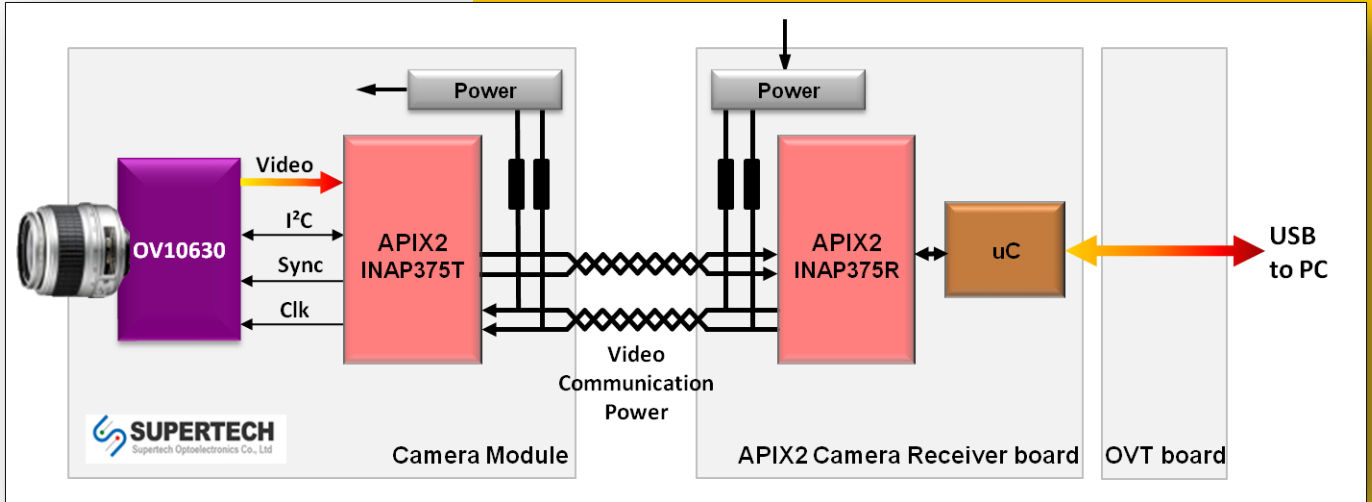
**Omnivision tool set**

**full remote control over APIX Link**

**full duplex communication**

**CRC protected data transfer (AShell)**

**Power over APIX**



## Technical Details

### Camera Module:

- Supertech CRF Automotive Camera Module
- Omnivision OVT10630 Megapixel Imager
- APIX2 Transmitter
- HSD Connector
- Power supply over APIX Link (PoA)
- 30 mm x 30 mm

### Receiver Board:

- APIX2 Receiver
- USB to PC
- 160mm x 100mm

Part Number: **APIX2\_ADK\_OVT**

### Set content:

- Supertech CRF Automotive Camera Module
- APIX2 Camera Receiver Board
- Omnivision USB base board
- 5m STP cable with HSD Connectors
- 2m USB cable
- Schematics & Layout
- Documentation
- CD with Inova and Omnivision SW

## Inova Semiconductors GmbH

Grafinger Str. 26  
D-81671 München / Germany  
Tel. +49 / 89 / 45 74 75 – 60

[www.inova-semiconductors.de](http://www.inova-semiconductors.de)  
[info@inova-semiconductors.de](mailto:info@inova-semiconductors.de)